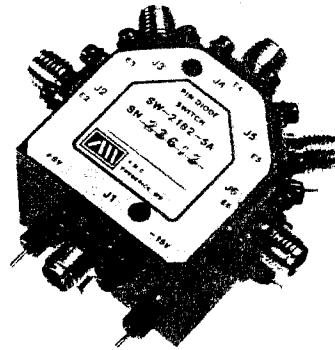


**PIN DIODE SWITCH SP5T
WITH TTL DRIVER
MODEL SW-2181-5A
2-18 GHz**

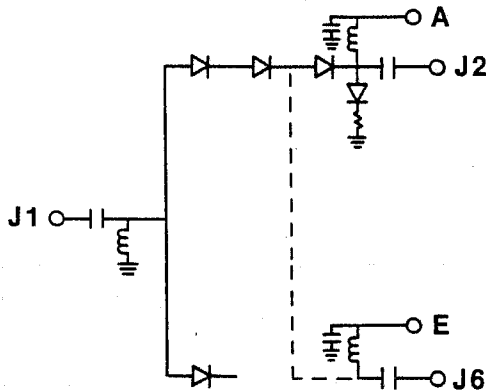


FEATURES

- Integral TTL Driver
- Rugged Microstrip Construction
- Reverse Polarity Protection on +5V and -15V Lines
- Available with Off-Arm Terminations

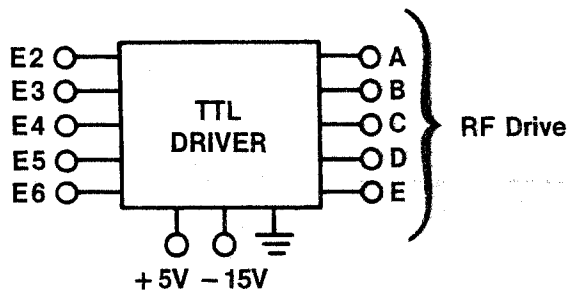
FUNCTIONAL SCHEMATIC

(Typical Arm)



DESCRIPTION

Model SW-2181-5A is a Broadband SP5T Switch covering the 2-18 GHz Band. Integral TTL Driver is "unit load" TTL compatible, one control per arm.



11/89

SPECIFICATIONS

CHARACTERISTICS	FREQUENCY (GHz)				
	.5-2 (Option 010)	2-4	4-8	8-12.4	12.4-18
MAX. INS. LOSS (dB)	2.7	2.7	2.7	3.3	3.6
MIN. ISOLATION (dB)	75	65	65	60	60
MAX. VSWR (On)	1.8	1.8	1.8	2.0	2.0
MAX. VSWR (Off) (Option 011)	1.8	1.8	1.8	1.8	2.0

Switching Speed: (10% to 90% RF) 50 ns, Max.
(90% to 10% RF) 50 ns, Max.

RF Power: + 20 dBm, Max.

Control: TTL compatible, one "unit load"
5 individual controls.

Control Logic: Logic "1" (-0.3 to +0.7V) Port On
Logic "0" (+2.0 to +5.0V) Port Off

Power Requirements: + 5 VDC @ 250 mA, Max.
- 15 VDC @ 100 mA, Max.

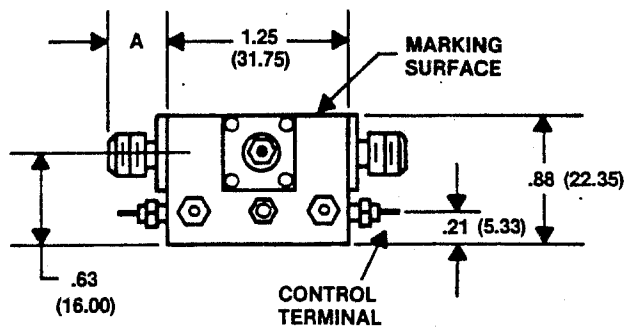
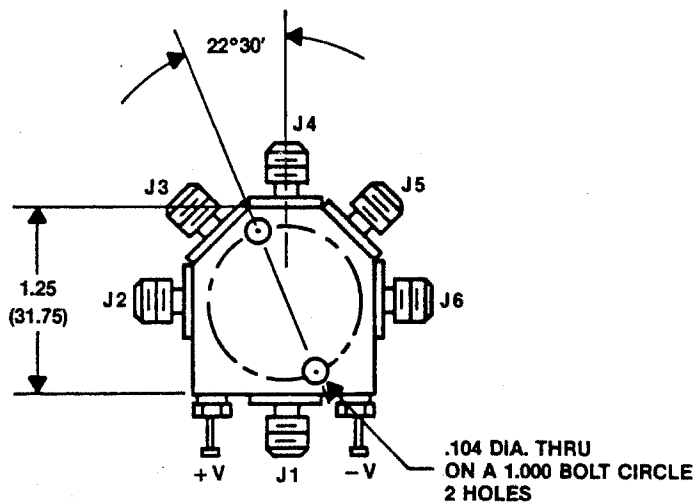
Connectors: RF: SMA Female
Power: RFI Solder Pin
Control: Solder Pin

Options: 001 RF SMA Male Connectors
002 35 dB, Min. Isolation
003 - 12 VDC Power Supply
004 + 15 VDC Power Supply
005 Reverse Logic
006 - 5 VDC Power Supply
007 Decoder
008 SMC - Male Control Connector
009 10 ns, Max. Rise/Fall Time
010 Extend Frequency Range to 500 MHz
011 Off-Arm Terminations
103 Video Filters

ENVIRONMENTAL RATINGS

Operating Temperature - 50° C to 85° C
Non-Operating Temperature - 65° C to 125° C
Humidity MIL-STD-202F, METHOD 103B
Shock MIL-STD-202F, METHOD 213B
Vibration MIL-STD-202F, METHOD 204D
Altitude MIL-STD-202F, METHOD 105C
Temp Cycling MIL-STD-202F, METHOD 107D

MECHANICAL DATA



DIMENSIONS: INCHES (MILLIMETERS)